



Pro Audio
Germany

PCS - Q SERIES

www.4-acoustic.com

PCS-Q is our first-class full range series mainly designed for fixed installation. This series is equipped with premium components and convinced by linear frequency response and phase reproduction. The result delivers a transparent and pure sound experience. The PCS-Q series needs no complicate EQ settings and can be almost used as plug and play. To correct the Coverage Pattern for vertically or horizontal installation, you can rotate the horn direction accordingly. The housing offers suspension points for wall and roof mounting in three direction, namely top, side, and back. PCS-106Q and PCS-108Q have Vesa 75 size M6 suspension points at the backside to use with our wall mounting kits. With our U-profile hanging kit, you will able to adjust the hanging angle properly to suit the different sound environment.

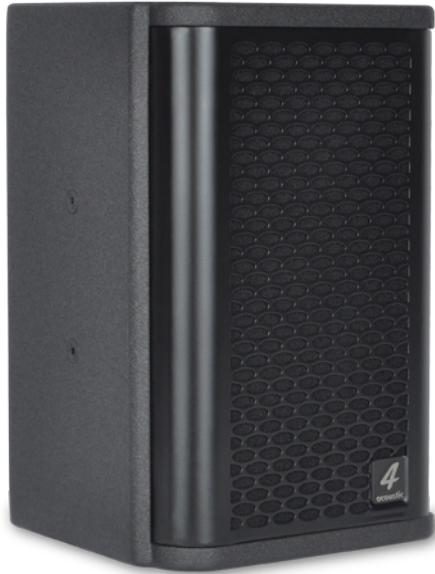
PCS - Q SERIES



PCS-106Q

www.4-acoustic.com

- Crafted with the premium components
- Designed for fixed installation
- 200 W program power
- 100 W AES power
- Different color coating available
- Connecting panel with Neutrik NL4 sockets
- 8 Ohm Impedance
- 60° Radial Coverage Pattern



Specification

PCS-106Q

Model Name	PCS-106Q
GS1 (EAN) CODE	4260318511636
System Type	2-Way 6,5"+1" Fullrange Speaker
Power Rating	100 W AES 200 W program 400 W peak
Frequency Range (+/- 3 dB)	57 Hz - 20 kHz
Coverage Pattern (hvx)	60° Radial
Sensitivity	95 dB 1w/1m
Maximum SPL	117 dB
Woofer	1 x STG-6Q
Driver	1 x STG-34F
Nominal Impedance	8 Ohm
Input Connectors	2 x Neutrik NL4 Socket parallel 1+/1-
Suspension/Mounting	VESA 75 (Backside) 10 x M8 suspension U-Profil-Base
Housing	Birch Multiplex
Coating	Anti-scratch Polyurethane coating
Dimensions (h/w/d)	365x249x242 mm
Net weight	9,5 kg

Accessories

PCS-106Q

Order Code	GS1 (EAN) Code	Type
STG-STD	4260318511032	Tripot Speaker Stand
KA-SP2-05	4260318510967	5 Meter Speaker cable 2x2,5qmm
KA-SP2-10	4260318510974	10 Meter Speaker cable 2x2,5qmm
KA-SP2-15	4260318510981	15 Meter Speaker cable 2x2,5qmm
KA-SP2-20	4260318510998	20 Meter Speaker cable 2x2,5qmm
SA-2080	4260318510820	2 Channel Class H Amplifier 2 x 800 Watt @ 8 ohm



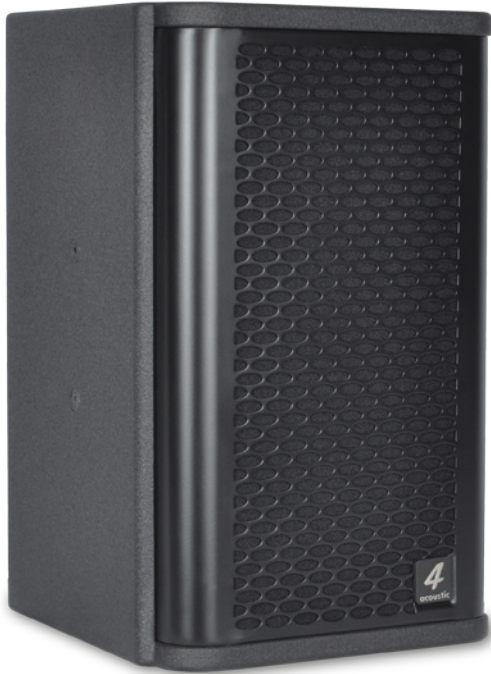


Pro Audio
Germany

PCS-108Q

www.4-acoustic.com

- Highest quality birch multiplex wood
- Suitable for installation
- 400 W program power
- 200 W AES power
- 10 x M8 suspension points
- 1" compression driver
- 8 Ohm Impedance
- 90° x 40° horn design



Specification

PCS-108Q

Model Name	PCS-108Q
GS1 (EAN) CODE	4260318511643
System Type	2-Way 8"+1" Fullrange Speaker
Power Rating	200 W AES 400 W program 800 W peak
Frequency Range (+/- 3 dB)	53 Hz - 20 kHz
Coverage Pattern (hvx)	90°x40°
Sensitivity	96 dB 1w/1m
Maximum SPL	122 dB
Woofer	1 x STG-8Q
Driver	1 x STG-34F
Nominal Impedance	8 Ohm
Input Connectors	2 x Neutrik NL4 Socket parallel 1+/1-
Suspension/Mounting	VESA 75 (Backside) 35 mm pole socket 10 x M8 suspension U-Profil-Base
Housing	Birch Multiplex
Coating	Anti-scratch Polyurethane coating
Dimensions (h/w/d)	450x275x290 mm
Net weight	13,0 kg

Accessories

PCS-108Q

Order Code	GS1 (EAN) Code	Type
STG-STD	4260318511032	Tripot Speaker Stand
KA-SP2-05	4260318510967	5 Meter Speaker cable 2x2,5qmm
KA-SP2-10	4260318510974	10 Meter Speaker cable 2x2,5qmm
KA-SP2-15	4260318510981	15 Meter Speaker cable 2x2,5qmm
KA-SP2-20	4260318510998	20 Meter Speaker cable 2x2,5qmm
SA-2100	4260318510837	2 Channel Class H Amplifier 2 x 1000 Watt @ 8 ohm

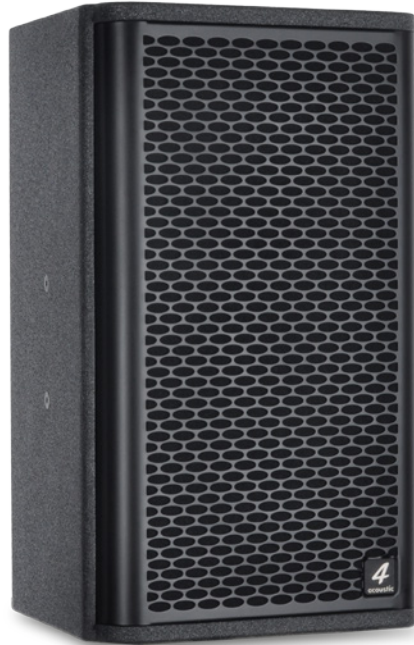


GERMAN
Pro
Audio
Engineering

PCS-110Q

www.4-acoustic.com

- Crafted with the premium components
- Designed for fixed installation
- 600 W program power
- 300 W AES power
- Different color coating available
- Connecting panel with Neutrik NL4 sockets
- 8 Ohm Impedance
- 90° x 40° Coverage Pattern



Specification

PCS-110Q

Model Name	PCS-110Q
GS1 (EAN) CODE	4260318511469
System Type	2-Way 10"+1" Fullrange Speaker
Power Rating	300 W AES 600 W program 1200 W peak
Frequency Range (+/- 3 dB)	50 Hz - 20 kHz
Coverage Pattern (hvxv)	90°x40°
Sensitivity	98 dB 1w/1m
Maximum SPL	128 dB
Woofer	1 x STG-10Q
Driver	1 x STG-45F
Nominal Impedance	8 Ohm
Input Connectors	2 x Neutrik NL4 Socket parallel 1+/1-
Suspension/Mounting	35 mm pole socket 10 x M8 suspension U-Profil-Base
Housing	Birch Multiplex
Coating	Anti-scratch Polyurethane coating
Dimensions (h/w/d)	525x312x295 mm
Net weight	16,5 kg

Accessories

PCS-110Q

Order Code	GS1 (EAN) Code	Type
STG-STD	4260318511032	Tripot Speaker Stand
KA-SP2-05	4260318510967	5 Meter Speaker cable 2x2,5qmm
KA-SP2-10	4260318510974	10 Meter Speaker cable 2x2,5qmm
KA-SP2-15	4260318510981	15 Meter Speaker cable 2x2,5qmm
KA-SP2-20	4260318510998	20 Meter Speaker cable 2x2,5qmm
SA-2080	4260318510820	2 Channel Class H Amplifier 2 x 800 Watt @ 8 ohm



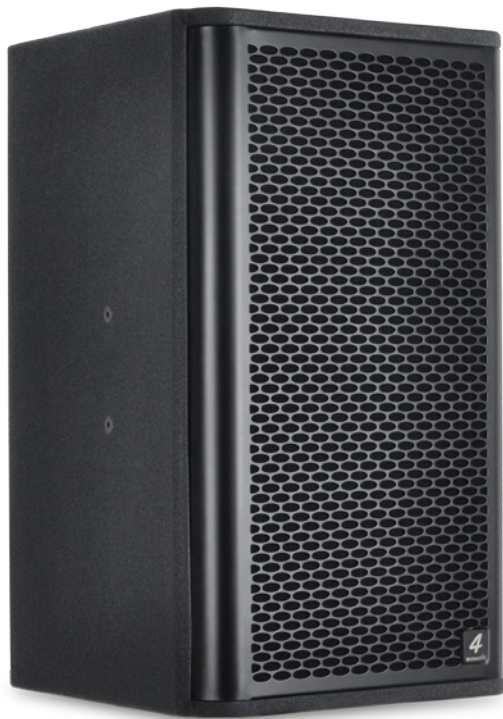
PCS-112Q

www.4-acoustic.com

- Highest quality birch multiplex wood
- Suitable for installation
- 1000 W program power
- 500 W AES power
- 10 x M8 suspension points
- 1,4" compression driver with 3" voice coil
- 8 Ohm Impedance
- 80° x 50° horn design

Specification

PCS-112Q



Model Name	PCS-112Q
GS1 (EAN) CODE	4260318512008
System Type	2-Way 12"+1,4" (3" voice coil) Fullrange Speaker
Power Rating	500 W AES 1000 W program 2000 W peak
Frequency Range (+/- 3 dB)	41 Hz - 20 kHz
Coverage Pattern (hvx)	80°x50°
Sensitivity	101 dB 1w/1m
Maximum SPL	133 dB
Woofer	1 x STG-12Q
Driver	1 x STG-75B
Nominal Impedance	8 Ohm
Input Connectors	2 x Neutrik NL4 Socket parallel 1+/1-
Suspension/Mounting	35 mm pole socket 10 x M8 suspension U-Profil-Base
Housing	Birch Multiplex
Coating	Anti-scratch Polyurethane coating
Dimensions (h/w/d)	620x373x385 mm
Net weight	23,0 kg

Accessories

PCS-112Q

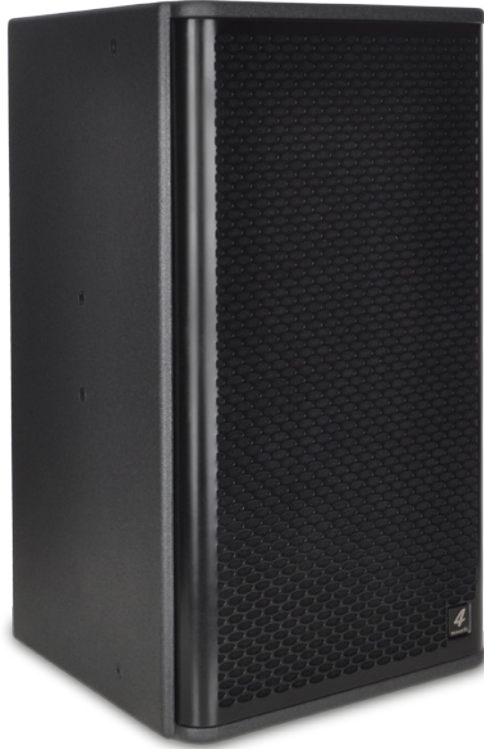
Order Code	GS1 (EAN) Code	Type
STG-STD	4260318511032	Tripot Speaker Stand
KA-SP2-05	4260318510967	5 Meter Speaker cable 2x2,5qmm
KA-SP2-10	4260318510974	10 Meter Speaker cable 2x2,5qmm
KA-SP2-15	4260318510981	15 Meter Speaker cable 2x2,5qmm
KA-SP2-20	4260318510998	20 Meter Speaker cable 2x2,5qmm
SA-2100	4260318510837	2 Channel Class H Amplifier 2 x 1000 Watt @ 8 ohm



PCS-115Q

www.4-acoustic.com

- Crafted with the premium components
- Designed for fixed installation
- 1200 W program power
- 600 W AES power
- Different color coating available
- Connecting panel with Neutrik NL4 sockets
- 8 Ohm Impedance
- 80° x 50° Coverage Pattern



Specification

PCS-115Q

Model Name	PCS-115Q
GS1 (EAN) CODE	4260318511711
System Type	2-Way 15"+1,4" (3" voice coil) Fullrange Speaker
Power Rating	600 W AES 1200 W program 2400 W peak
Frequency Range (+/- 3 dB)	40 Hz - 20 kHz
Coverage Pattern (hvx)	80°x50°
Sensitivity	101 dB 1w/1m
Maximum SPL	136 dB
Woofers	1 x STG-15Q
Driver	1 x STG-75B
Nominal Impedance	8 Ohm
Input Connectors	2 x Neutrik NL4 Socket parallel 1+/1-
Suspension/Mounting	35 mm pole socket 10 x M8 suspension U-Profil-Base
Housing	Birch Multiplex
Coating	Anti-scratch Polyurethane coating
Dimensions (h/w/d)	700x419x436 mm
Net weight	34,0 kg

Accessories

PCS-115Q

Order Code	GS1 (EAN) Code	Type
STG-STD	4260318511032	Tripot Speaker Stand
KA-SP2-05	4260318510967	5 Meter Speaker cable 2x2,5qmm
KA-SP2-10	4260318510974	10 Meter Speaker cable 2x2,5qmm
KA-SP2-15	4260318510981	15 Meter Speaker cable 2x2,5qmm
KA-SP2-20	4260318510998	20 Meter Speaker cable 2x2,5qmm
SA-2080	4260318510820	2 Channel Class H Amplifier 2 x 800 Watt @ 8 ohm



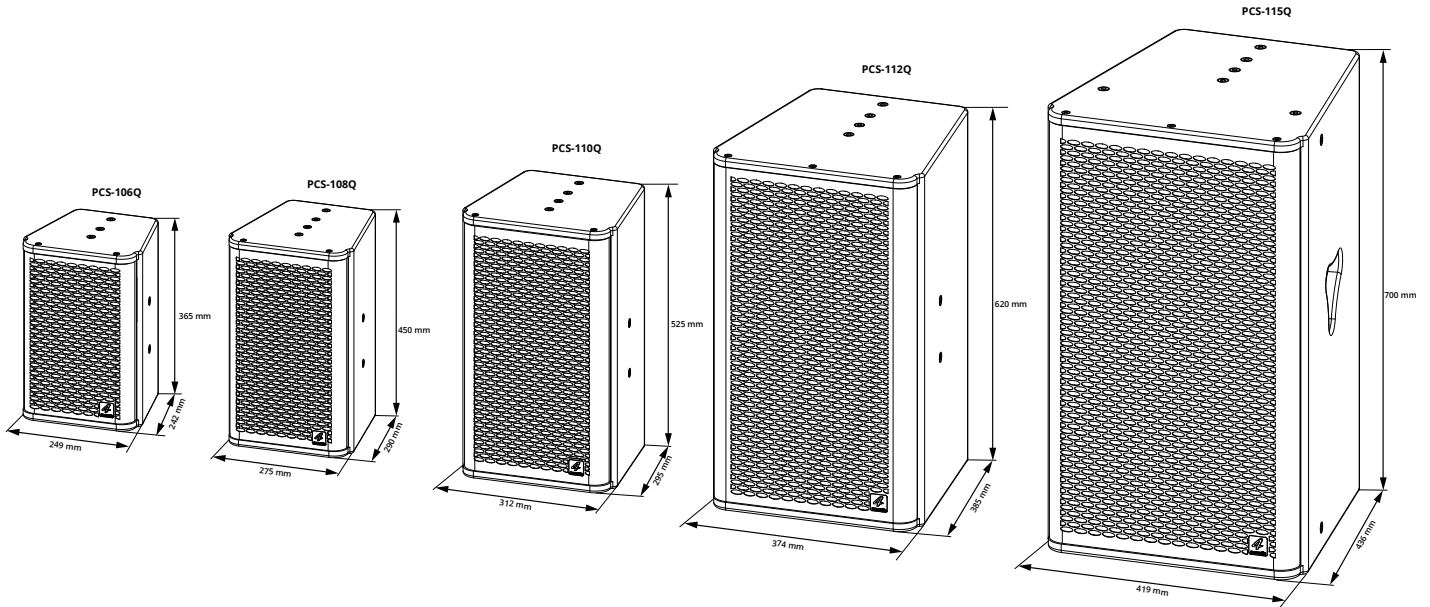


Pro Audio
Germany

PCS-Q Series

www.4-acoustic.com

PCS-Q Sizes





Pro Audio
Germany

PCS - Q SERIES

www.4-acoustic.com

PCS - Q SERIES



Pro Audio
Germany

INLINE Marketing GmbH

Bunsenstrasse 32

59229 Ahlen, Germany

Tel. +49 2382 7087-0

Fax +49 2382 7087-25

E-Mail sales@4-acoustic.com

Web www.4-acoustic.com